



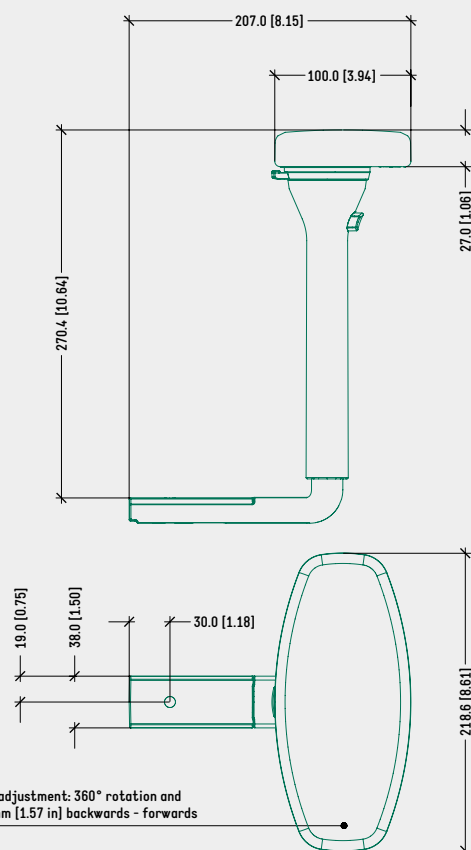
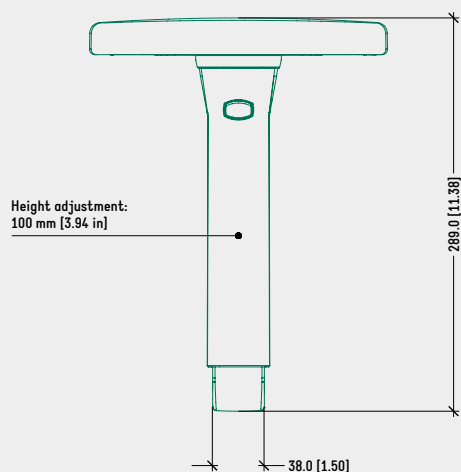
SPECIFICATIONS	
TYPE	Adjustable straight armrest
MATERIAL	Aluminium
AVAILABLE ALSO IN	Nylon
HEIGHT ADJUSTMENT	100 mm [3.94 in]
WIDTH ADJUSTMENT	Fixed
	42 mm [1.65 in] (According to the fixing kit)
PAD TO PAD DISTANCE	From 364 mm [14.33 in] to 510 mm [20.08 in]
RELATED PAD	Complete Donati pad family
PAD ADJUSTMENT	— 360° rotation
	— 40 mm [1.57 in] backwards / forwards
SEAT CONNECTION	Type-B armrest interface
ITEMS PER BOX	40
BOXES PER PALLET (MOQ)	4 boxes (160 items)
PALLET SIZE (LxWxH)	80 x 120 x 210 cm [31.5 x 47.2 x 82.7 in]

PRODUCT CODES

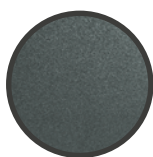
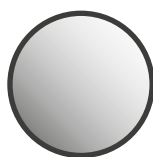
BeO 4D – STRAIGHT (ALUMINIUM) 4500501

TECHNICAL DRAWING

BeO 4D – STRAIGHT (ALUMINIUM)



SURFACE COLOURS / FINISHES

BLACK NYLON
ARMRESTSRAL 7610 NYLON
BUTTONPOLISHED
ALUMINIUM
ARMRESTS BRACKET

RELATED PRODUCTS

TYPE-B
ARMREST INTERFACE
SEATS ONLY

TYPE-B ARMREST FIXING KIT CODES

FOR TRASLA 2 – TRASLA 2 CABLE SEAT

WIDTH ADJUSTABLE - WITH ARMBAR [EN1335] 4500167

WIDTH ADJUSTABLE - WITH ARMBAR [BIFMA] 4500117

FIXED - W/O ARMBAR [EN1335] 4501700

FOR TRASLA 3 SEAT

WIDTH ADJ. - W/O ARMBAR [EN1335 & BIFMA] 4501120

FOR KITE SEAT

FIXED - W/O ARMBAR [EN1335 & BIFMA] 4501703

FOR SLIM – CONKA – FLAT – CUSTOMERS' SEAT

WIDTH ADJUSTABLE - WITH ARMBAR 4500118

WIDTH ADJUSTABLE - W/O ARMBAR 4500165

FOR DASH SEAT

WIDTH ADJUSTABLE - WITH ARMBAR [EN1335] 4500167

WIDTH ADJUSTABLE - WITH ARMBAR 4501169



FOX	
D x W x H (mm)	225 x 99 x 27
D x W x H (in)	8.85 x 3.89 x 1.06
PU	4700555



MIDI	
D x W x H (mm)	219 x 100 x 27
D x W x H (in)	8.62 x 3.94 x 1.06
PU	9000538
PP	9000537



STANDARD	
D x W x H (mm)	236 x 112 x 27
D x W x H (in)	9.29 x 4.41 x 1.06
PU	9000515



NPR	
D x W x H (mm)	216 x 112 x 27
D x W x H (in)	8.50 x 4.41 x 1.06
PU	9000554



COX	
D x W x H (mm)	235 x 100 x 27
D x W x H (in)	9.25 x 3.94 x 1.06
PU	9000551



SQUARE	
D x W x H (mm)	236 x 112 x 27
D x W x H (in)	9.29 x 4.41 x 1.06
PU	9000547