

TAPERED PLASTIC BUSHING AVAILABLE IN TWO EXTERNAL DIAMETERS

**SPECIFICATIONS**

TYPE	Gas spring
EXTERNAL DIAMETER	40,0 mm [1.57 in]
INSIDE GAS LIFT DIAMETER	28,0 mm [1.10 in]
CLASS	3
FORCE	300N
GAS SPRING HEIGHT	245,0 mm [9.65 in]
STROKE	112 mm [4.41 in]
EXT. TAPER HEIGHT (∅ 40 mm)	42 mm [1.7 in]
INT. TAPER HEIGHT (∅ 28 mm)	237 mm [9.3 in]
GAS SPRING SURFACE FINISH	— Chrome — Black
ITEMS PER BOX (MOQ)	20 / 600

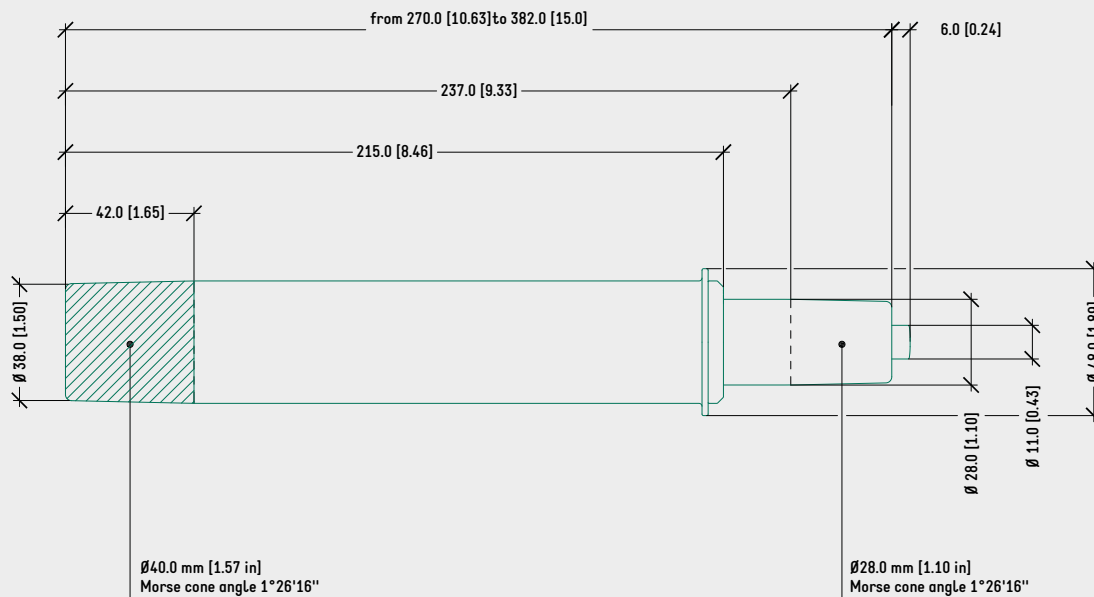
**PRODUCT CODES**

.....

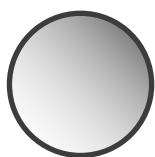
<u>SG215 40 B GAS SPRING</u>	
BLACK	4501510
CHROME	4500085
<u>TAPERED PLASTIC BUSHING</u>	
EXT. ∅ 50 mm > INT. ∅ 40 mm	4510165
EXT. ∅ 44 mm > INT. ∅ 40 mm	4516007

TECHNICAL DRAWING

SG215 40 B GAS SPRING



SURFACE COLOURS / FINISHES



CHROME STEEL  
GAS SPRING



BLACK PAINTED  
GAS SPRING

TAPERED BUSHING



TAPERED PLASTIC  
BUSHING  
EXT. ∅ 50 mm > INT. ∅ 40 mm  
CODE: 4510165



TAPERED PLASTIC  
BUSHING  
EXT. ∅ 44 mm > INT. ∅ 40 mm  
CODE: 4516007

RELATED PRODUCTS



SUPERLEGGERA  
4 STAR BASE — HIGH  
MORSE CONE ∅ 44 mm  
CODE: 5010490



UNICA  
4 STAR BASE  
MORSE CONE ∅ 44 mm  
CODE: ON REQUEST



SUPERLEGGERO  
SWIVEL SUPPORT  
WITH HEIGHT ADJ.  
CODE: 1050620



SPIDER SWIVEL  
SUPPORT WITH  
HEIGHT ADJ.  
CODE: 1050530



ARMONICO COLLECTION  
WITH HEIGHT ADJ.