



## SPECIFICATIONS

TYPE	Fixed support
FACTORY SEAT SETUP	<ul style="list-style-type: none"> <li>— 2,5° backward (standard version)</li> <li>— 6° backward (lounge version)</li> </ul>
[OPT.] HEIGHT ADJUSTMENT	By Bowden cable
SEAT CONNECTION	Bolt-on plate 153 x 153 mm [6.02 x 6.02 in]
MORSE CONE DIAMETER	28,0 mm [1.10 in]
MECHANISM SURFACE FINISH	<ul style="list-style-type: none"> <li>— Polished</li> <li>— Black painted</li> </ul>
DESIGN BY	Strand + Hvass

## PRODUCT CODES

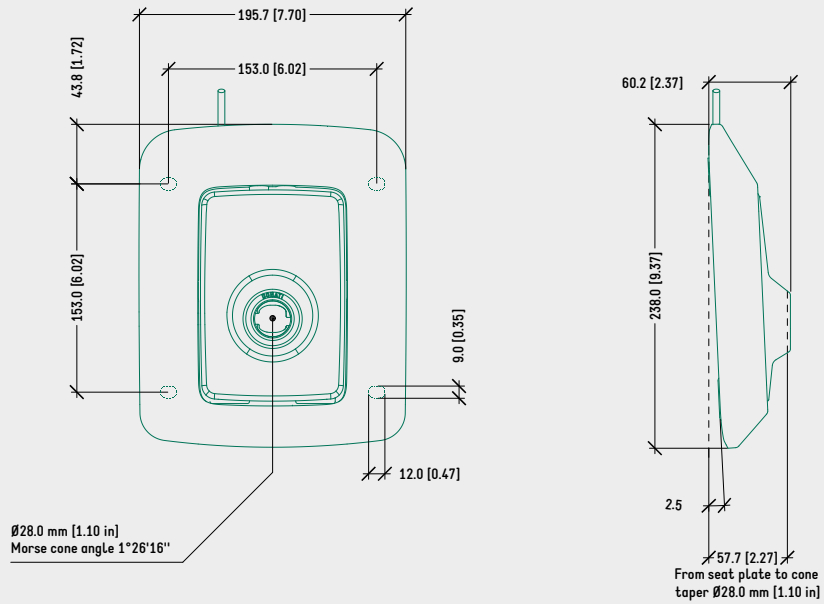
---

**INSTAR CABLE FIXED WITH HEIGHT ADJUSTMENT**

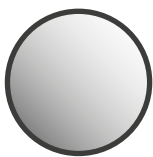
POLISHED (STANDARD VER.)	1022501
BLACK PAINTED (STANDARD VER.)	1022500
POLISHED (LOUNGE VER.)	On request
BLACK PAINTED (LOUNGE VER.)	On request

TECHNICAL DRAWING

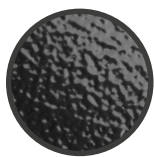
INSTAR CABLE FIXED - STANDARD VER.



SURFACE COLOURS / FINISHES



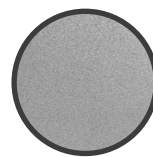
POLISHED ALUMINIUM HOUSING



BLACK PAINTED ALUMINIUM HOUSING, SEAT PLATE



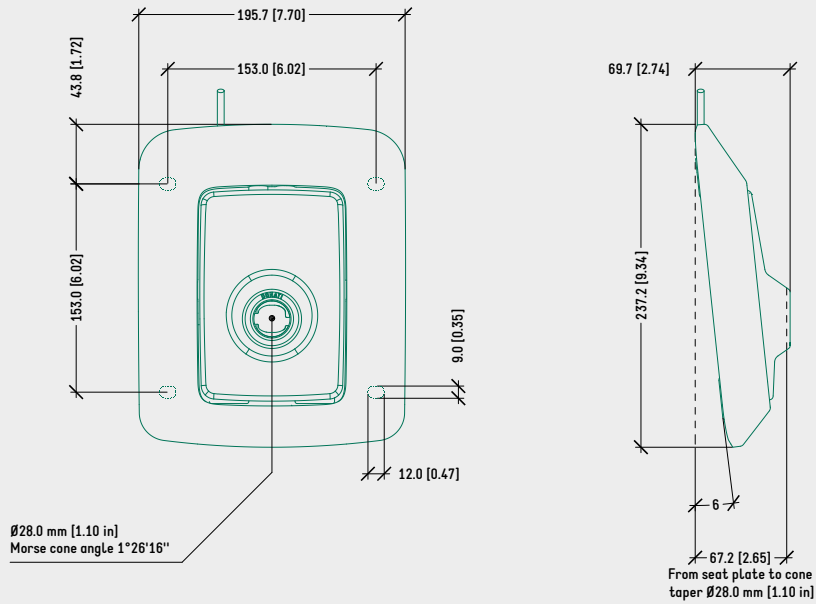
BLACK PLASTIC COVER



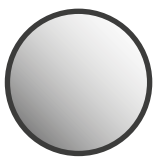
WINDOW GREY (RAL 7040) PLASTIC COVER

TECHNICAL DRAWING

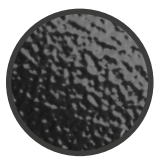
INSTAR CABLE FIXED - LOUNGE VER.



SURFACE COLOURS / FINISHES



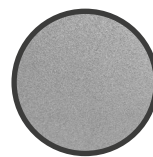
POLISHED ALUMINIUM HOUSING



BLACK PAINTED ALUMINIUM HOUSING, SEAT PLATE



BLACK PLASTIC COVER



WINDOW GREY (RAL 7040) PLASTIC COVER