

SPECIFICATIONS	
TYPE	Synchro tilt mechanism with forward pivot point
TILT ANGLE	22° backrest / 9° seat
BACKREST TILT LOCK	5 positions, by lever
HEIGHT ADJUSTMENT	By lever
COMFORT	Side tension adjustment knob
SEAT CONNECTION	Donati quick connection seat plate
BACK BAR CONNECTION	Donati standard (width 90,0 mm [3.54 in])
MORSE CONE DIAMETER	28,0 mm [1.10 in]
MECHANISM SURFACE FINISH	Black painted
LEVER FINISH	Black
ITEMS PER BOX	26
BOXES PER PALLET (MOQ)	4 boxes (104 items)
PALLET SIZE (LxWxH)	80 x 120 x 210 cm [31.5 x 47.2 x 82.7 in]

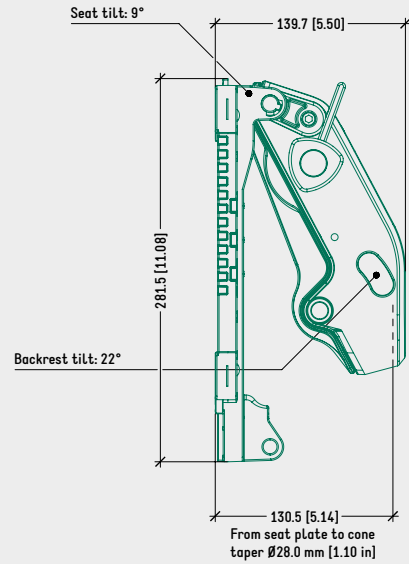
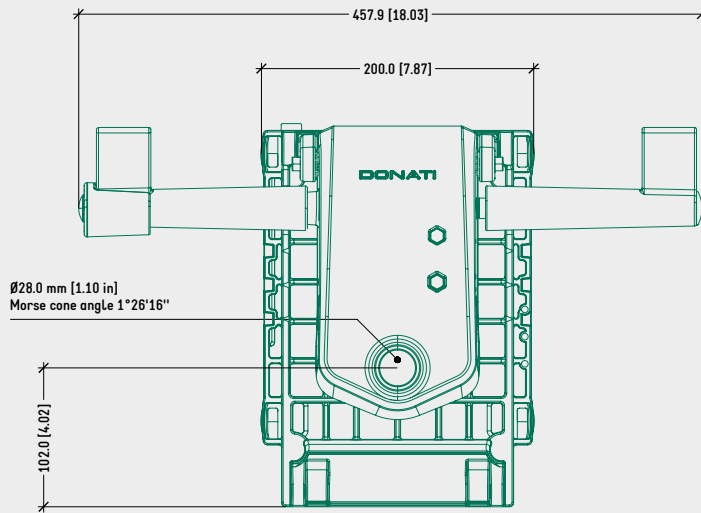
PRODUCT CODES

.....

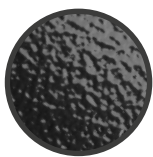
<u>TECNO</u>	
QUICK CONNECTION SEAT PLATE	1080620

TECHNICAL DRAWING

TECNO (QUICK CONNECTION PLATE)



SURFACE COLOURS / FINISHES



BLACK PAINTED ALUMINIUM HOUSING



BLACK PLASTIC LEVERS, COVER

RELATED PRODUCTS



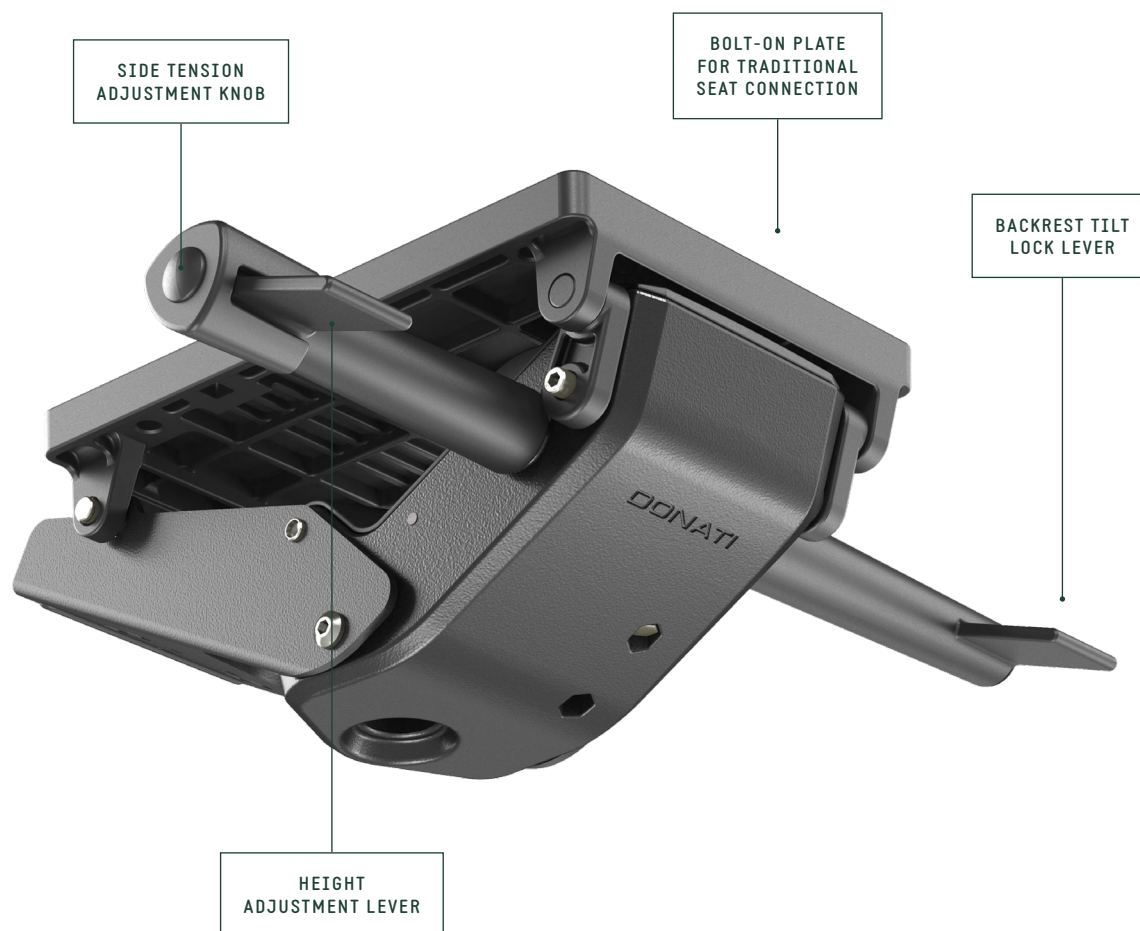
DONATI QUICK CONNECTION SLIDING SEAT FAMILY



DONATI QUICK CONNECTION SLIDING ADAPTER PLATE
CODE: 4515220



DONATI QUICK CONNECTION SLIDING ADAPTER MODULA 1
CODE: 4515270



SPECIFICATIONS

TYPE	Synchro tilt mechanism with forward pivot point
TILT ANGLE	22° backrest / 9° seat
BACKREST TILT LOCK	5 positions, by lever
HEIGHT ADJUSTMENT	By lever
COMFORT	Side tension adjustment knob
SEAT CONNECTION	Bolt-on plate 153,0 x 200,0 mm [6.02 x 7.87 in]
BACK BAR CONNECTION	Donati standard (width 90,0 mm [3.54 in])
MORSE CONE DIAMETER	28,0 mm [1.10 in]
MECHANISM SURFACE FINISH	Black painted
LEVER FINISH	Black
ITEMS PER BOX	26
BOXES PER PALLET (MOQ)	4 boxes (104 items)
PALLET SIZE (LxWxH)	80 x 120 x 210 cm [31.5 x 47.2 x 82.7 in]

PRODUCT CODES

.....

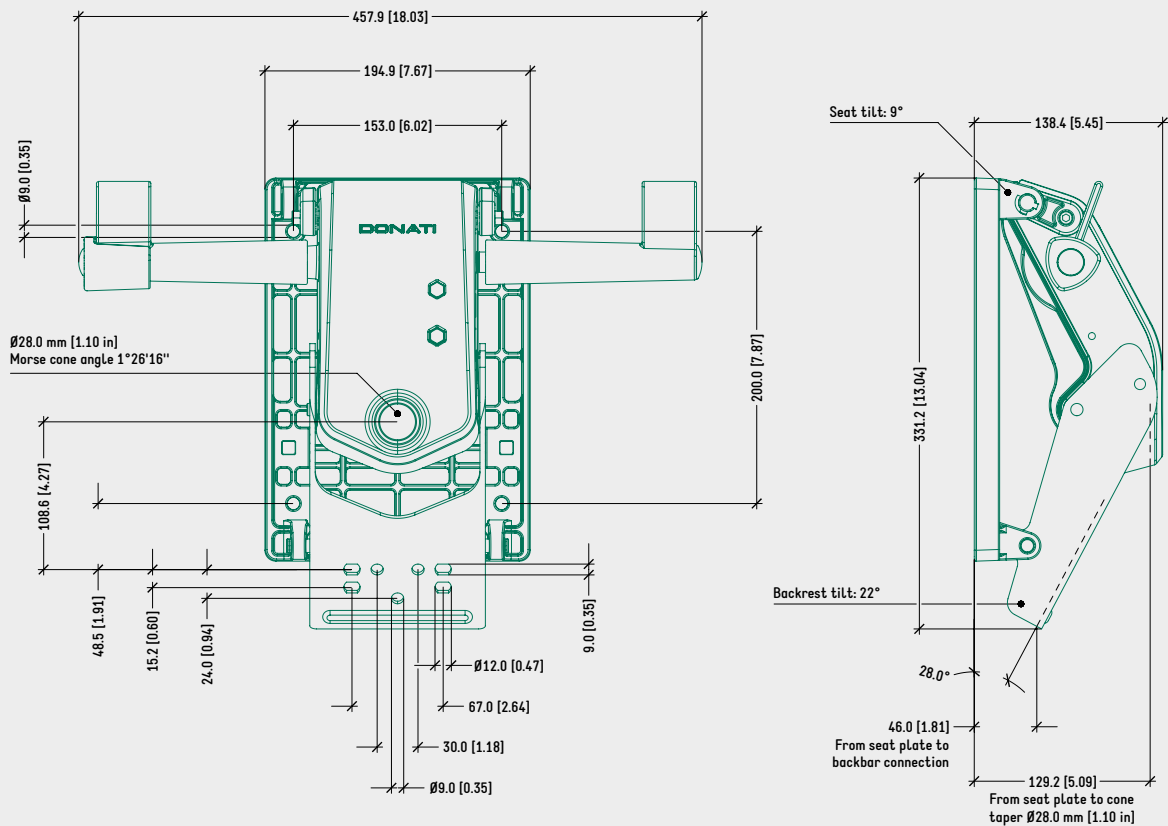
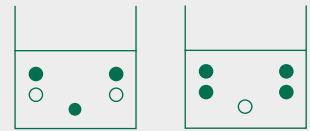
TECNO

BOLT-ON PLATE 1080600

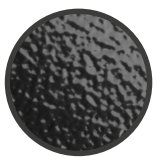
TECHNICAL DRAWING

TECNO (BOLT-ON PLATE)

RECOMMENDED FIXING HOLES FOR BACK SUPPORT CONNECTION (WIDTH 90,0 mm [3,54 in])



SURFACE COLOURS / FINISHES



BLACK PAINTED ALUMINIUM HOUSING



BLACK PLASTIC LEVERS, COVER

RELATED PRODUCTS



DONATI BOLT-ON SLIDING OR FIXED SEAT FAMILY



BOLT-ON SEATS 153x200 mm [6.0x7.9 in] CONNECTION