

1 - HEIGHT ADJUSTMENT LEVER

To raise

With the right hand, pull lever up while taking your weight off chair

—

To lower

With the right hand, pull lever up while seated



2 - TILT LOCK / UNLOCK KNOB

To lock tilt recline

Bring the backrest to the desired position using your body weight and, with the left hand, rotate knob forwards

—

To unlock tilt recline

With the left hand, rotate knob backwards and unlock the tilt using your body weight



3 - TENSION ADJUSTMENT KNOB

To increase

With the right hand, rotate knob forwards

—

To decrease

With the right hand, rotate knob backwards

PRODUCT NAME

Epron RV Synchron

TYPE

Synchro tilt mechanism

FEATURES

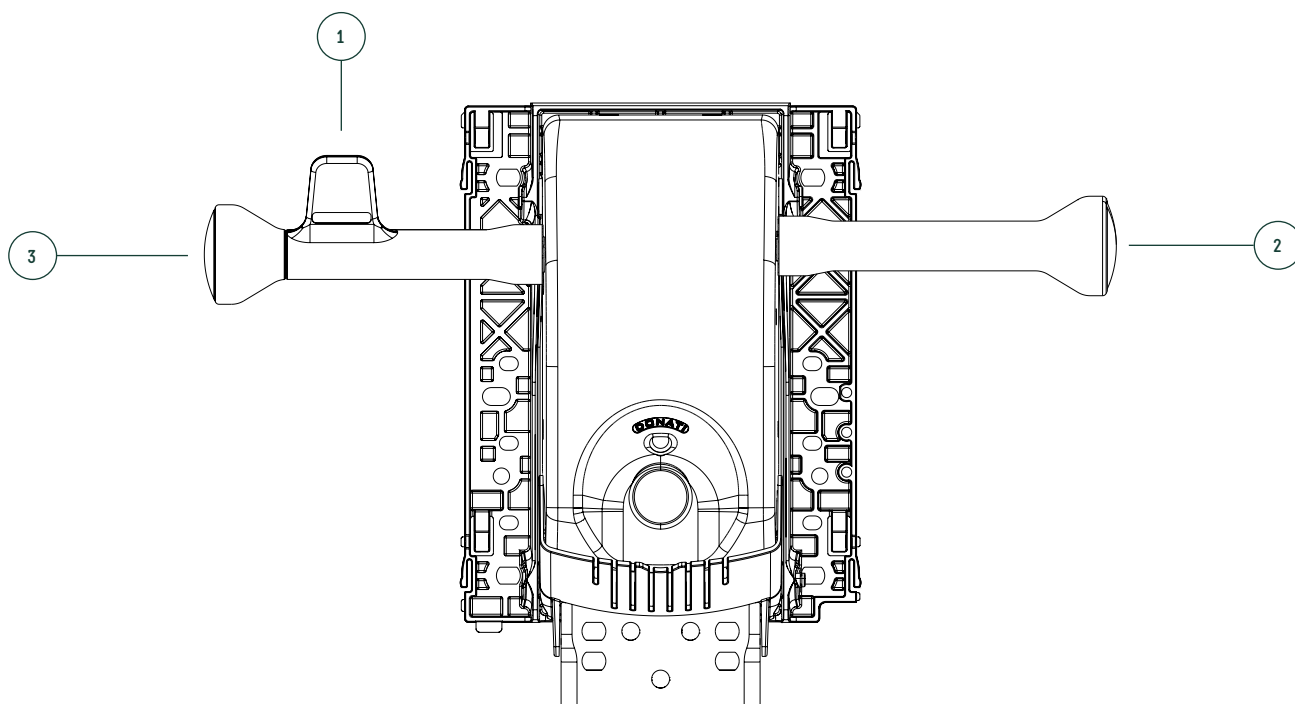
Height adjustment

—

Comfort adjustment

—

Tilt lock



1 - HEIGHT ADJUSTMENT LEVER

To raise

With the right hand, pull lever up while taking your weight off chair

—

To lower

With the right hand, pull lever up while seated



2 - TRAVEL RESTRICTION KNOB

To decrease tilt range

With the left hand, rotate knob forwards

—

To increase tilt range

With the left hand, rotate knob backwards



3 - TENSION ADJUSTMENT KNOB

To increase

With the right hand, rotate knob forwards

—

To decrease

With the right hand, rotate knob backwards

PRODUCT NAME

Epron RV Synchron

TYPE

Synchro tilt mechanism

FEATURES

Height adjustment

—

Comfort adjustment

—

Travel restriction